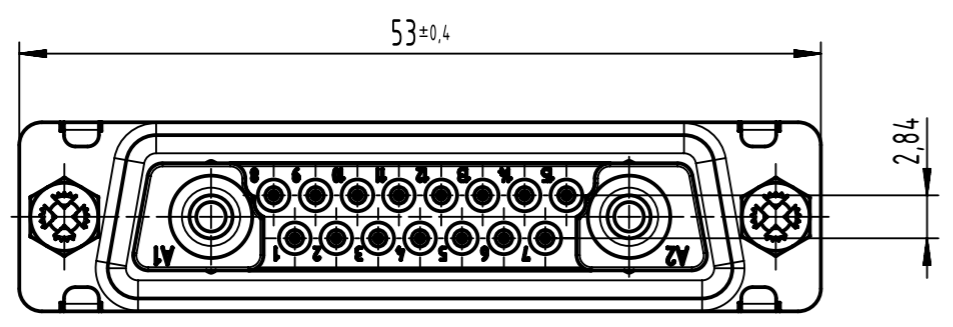
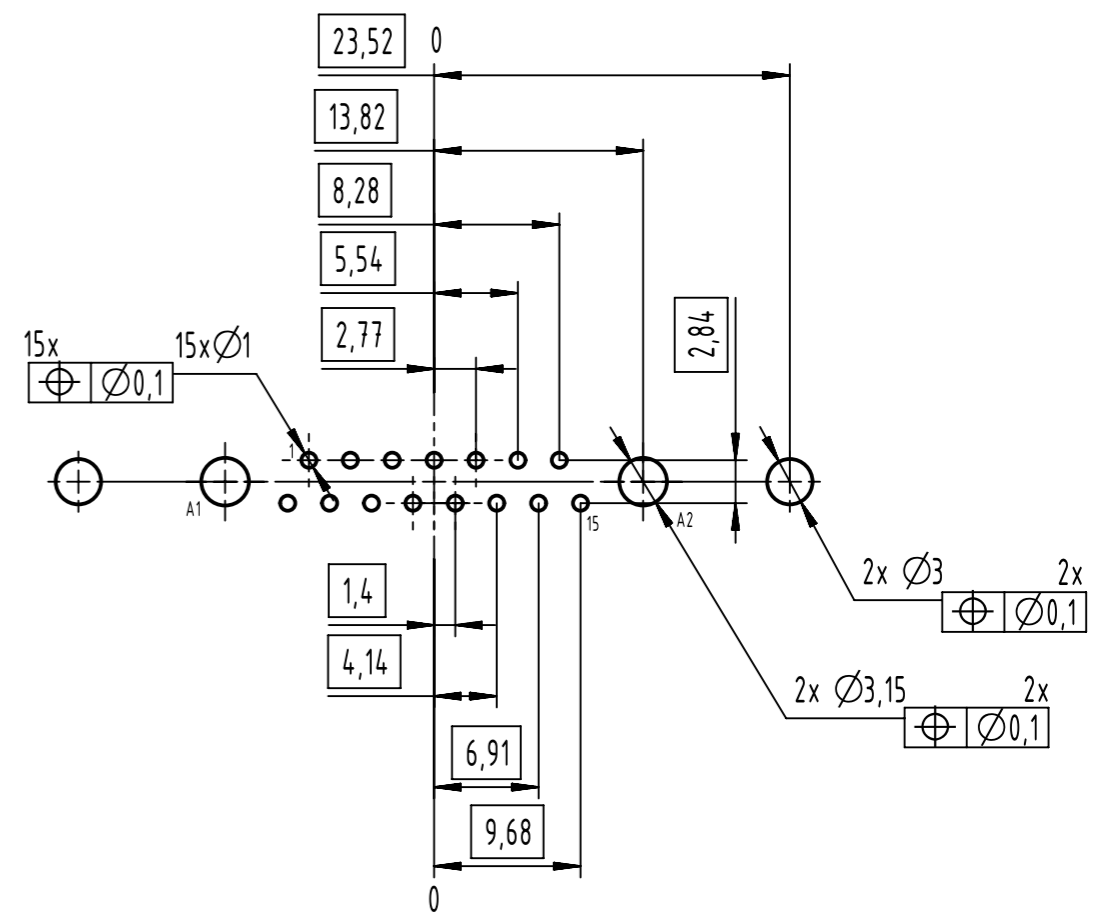


PCB hole pattern mounting side
Recommended thickness 1,6



09693009354	NM30
Part number	Performance level

	All rights reserved	Created by ZHUANGJ	Inspected by LUOK	Standardisation ROEBEN	Date 2022-01-27	State Final Release	
	Department EL PD	Title D-Sub M 17W2 STR MA 20A UNC NM30 BL				Doc-Key / ECM-Nr. 100989566/UGD/000/B 500000209165	
HARTING D-32339 Espelkamp	Type TB	Number 09693009354				Rev. B	Page 1/1